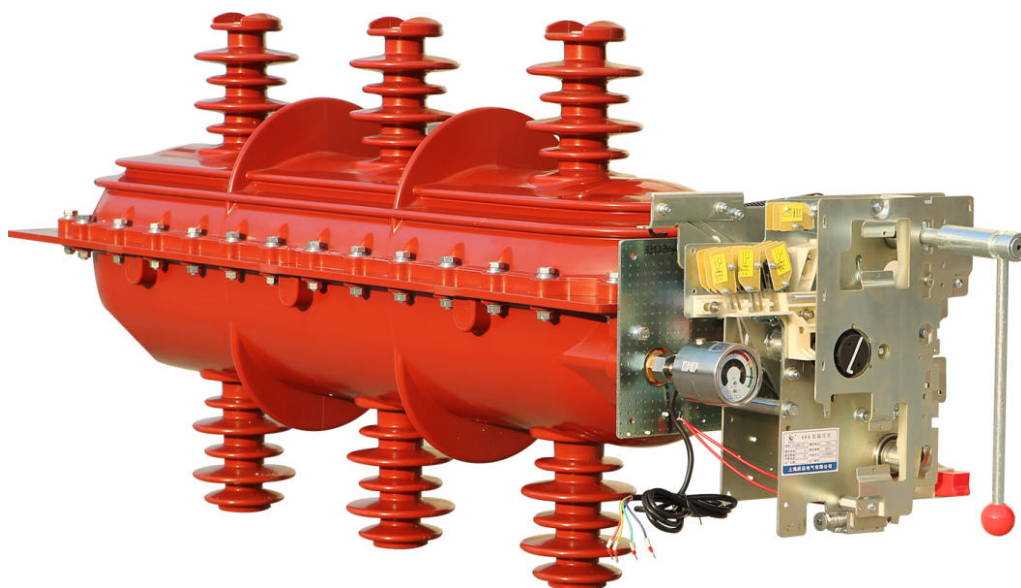


DNFLN36-12D/DNFLRN36-12D Load Break Switch

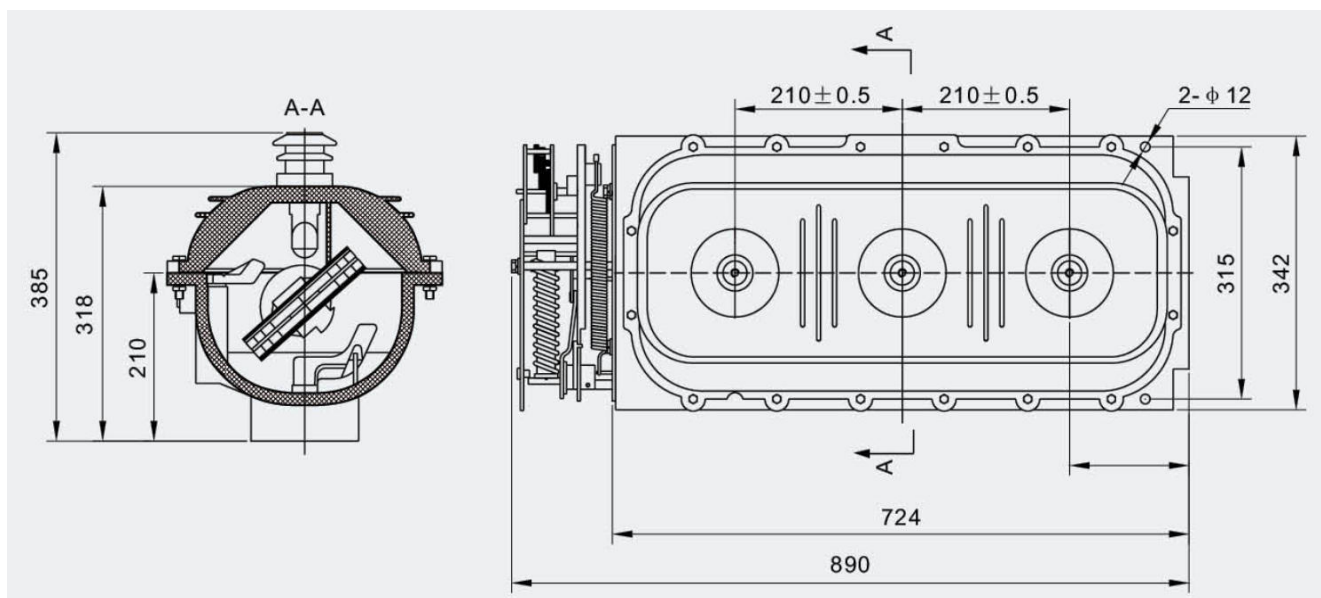


Technical Parameters

No.	Item	Unit	Datas
1	Rated frequency	kV	12
2	Rated voltage	Hz	50
3	Rated current	A	630
4	4s Rated short-time withstand current and duration	kA	50
5	Peak withstand current	kA	20
6	Rated short time making current	kA	50
7	Rated breaking current	Active load breaking current	630
		Closed-loop breaking current	630
		Cable charging breaking current	10
8	Power frequency withstand voltage 1min phase, ground/fracture	kV	42/48
9	Lightning impulse withstand voltage phase to phase, ground/fracture	kV	75/85
11	Sf6 gas relative pressure (20°C gauge pressure)	MPa	≤0.04
12	Rated operating voltage (electric)chanical life	V	AC220、DC220
13	Rated voltage of shunt trip	V	AC220、DC220
14	Average switch off speed	m/s	3.5±1.5
15	Average switch on speed	m/s	3.5±1.5
16	Three phase switching synchronization	ms	≤3
17	Main loop resistance	μΩ	≤120
18	Interphase center distance	mm	210±0.5

DNFLN36-12D/DNFLRN36-12D Load Break Switch

Dimensions (mm)



DNFLN36-24D/DNFLRN36-24D Load Break Switch

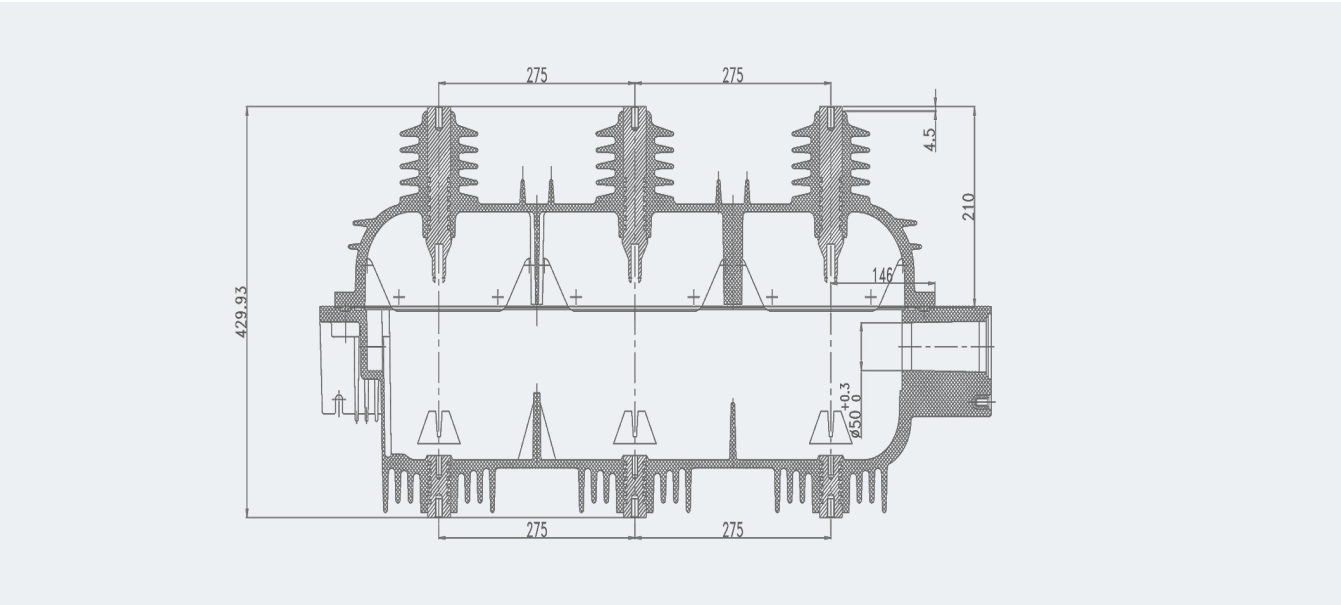


Technical Parameters

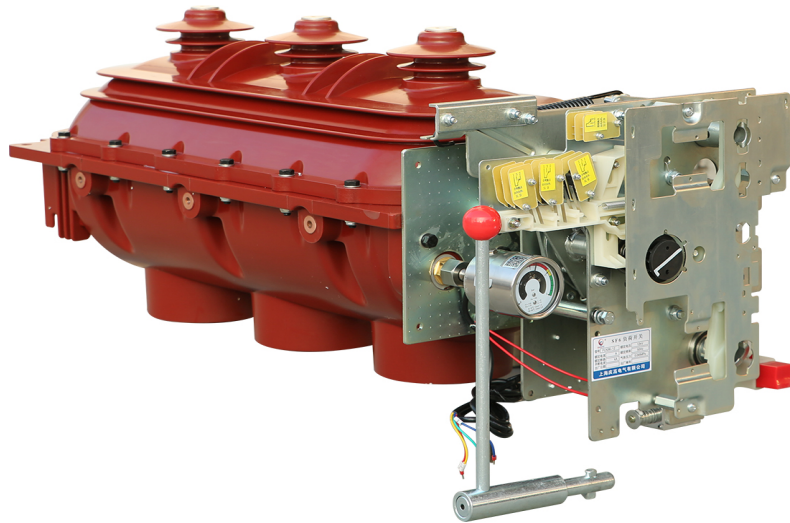
No.	Item	Unit	Datas
1	Rated frequency	kV	24
2	Rated voltage	Hz	50
3	Rated current	A	630
4	4s Rated short-time withstand current and duration	kA	50
5	Peak withstand current	kA	20
6	Rated short time making current	kA	50
7	Rated breaking current	Active load breaking current	630
		Closed-loop breaking current	630
		Cable charging breaking current	10
8	Power frequency withstand voltage 1min phase, ground/fracture	kV	42/48
9	Lightning impulse withstand voltage phase to phase, ground/fracture	kV	75/85
11	Sf6 gas relative pressure (20°C gauge pressure)	MPa	≤0.04
12	Rated operating voltage (electric)chanical life	V	AC220、DC220
13	Rated voltage of shunt trip	V	AC220、DC220
14	Average switch off speed	m/s	3.5±1.5
15	Average switch on speed	m/s	3.5±1.5
16	Three phase switching synchronization	ms	≤3
17	Main loop resistance	μΩ	≤120
18	Interphase center distance	mm	275±0.5

DNFLN36-24D/DNFLRN36-24D Load Break Switch

Dimensions (mm)



DNFLN36-40.5D/DNFLRN36-40.5D Load Break Switch



Technical Parameters

No.	Item	Unit	Datas
1	Rated frequency	kV	35
2	Rated voltage	Hz	50
3	Rated current	A	630
4	4s Rated short-time withstand current and duration	kA	50
5	Peak withstand current	kA	20
6	Rated short time making current	kA	50
7	Rated breaking current	Active load breaking current	630
		Closed-loop breaking current	630
		Cable charging breaking current	10
8	Power frequency withstand voltage 1min phase, ground/fracture	kV	42/48
9	Lightning impulse withstand voltage phase to phase, ground/fracture	kV	75/85
11	Sf6 gas relative pressure (20°C gauge pressure)	MPa	≤0.04
12	Rated operating voltage (electric)chanical life	V	AC220、DC220
13	Rated voltage of shunt trip	V	AC220、DC220
14	Average switch off speed	m/s	3.5±1.5
15	Average switch on speed	m/s	3.5±1.5
16	Three phase switching synchronization	ms	≤3
17	Main loop resistance	μΩ	≤120
18	Interphase center distance	mm	350±0.5

DNFLN36-40.5D/DNFLRN36-40.5D Load Break Switch

Dimensions (mm)

