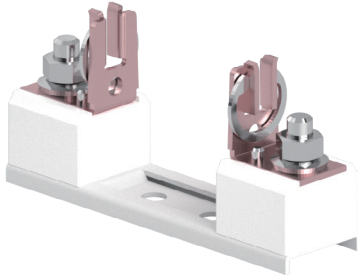
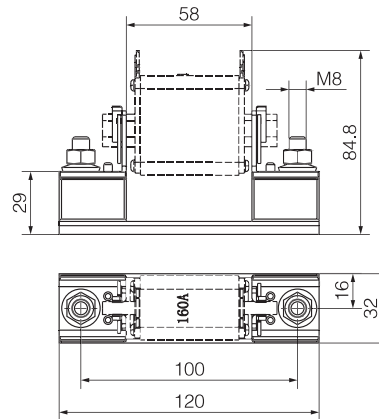


# DNF2 Fuse Holder

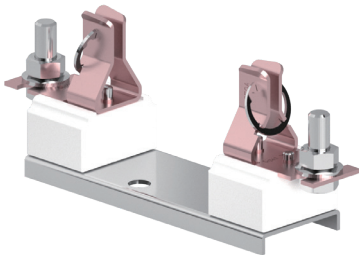


Order No.:DN56305  
Model No.:DNF2-00

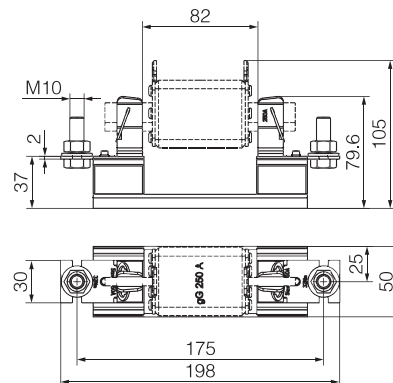
Rated current $I_n$	160A
Rated voltage $U_n$	690V AC/440V DC
Rated Insulation Voltage $U_i$	1000V
Rated impulse withstand voltage $U_{imp}$	6 kV
Break capacity (with fuse link)	120kA(500VAC)/50kA(690VAC)/ 100kA(440VDC)
Fuse link size	00/000
Feature	1 pole
Type	Fixed Type
Reference standard	IEC 60269-2 GB/T 13539.2



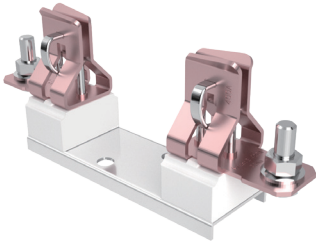
Order No.:DN56315  
Model No.:DNF2-1



Rated current $I_n$	250A
Rated voltage $U_n$	690V AC/440V DC
Rated Insulation Voltage $U_i$	1000V
Rated impulse withstand voltage $U_{imp}$	6 kV
Break capacity (with fuse link)	120kA(500VAC)/50kA(690VAC)/ 100kA(440VDC)
Fuse link size	1
Feature	1 pole
Type	Fixed Type
Reference standard	IEC 60269-2 GB/T 13539.2

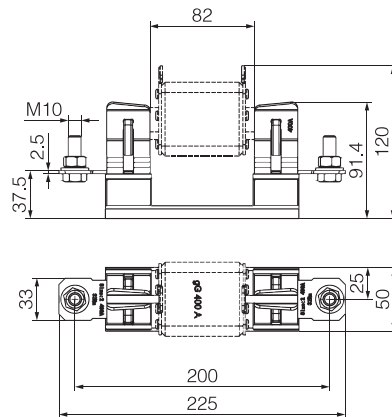


# DNF2 Fuse Holder

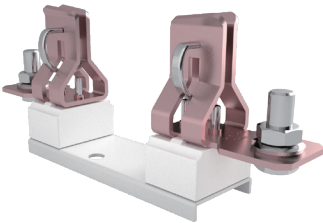


Order No.:DN56325  
Model No.:DNF2-2

Rated current $I_n$	400A
Rated voltage $U_n$	690V AC/440V DC
Rated Insulation Voltage $U_i$	1000V
Rated impulse withstand voltage $U_{imp}$	6 kV
Break capacity (with fuse link)	120kA(500VAC)/50kA(690VAC)/100kA(440VDC)
Fuse link size	2
Feature	1 pole
Type	Fixed Type
Reference standard	IEC 60269-2 GB/T 13539.2



Order No.:DN56335  
Model No.:DNF2-3



Rated current $I_n$	800A
Rated voltage $U_n$	690V AC/440V DC
Rated Insulation Voltage $U_i$	1000V
Rated impulse withstand voltage $U_{imp}$	6 kV
Break capacity (with fuse link)	120kA(500VAC)/50kA(690VAC)/100kA(440VDC)
Fuse link size	3
Feature	1 pole
Type	Fixed Type
Reference standard	IEC 60269-2 GB/T 13539.2

