

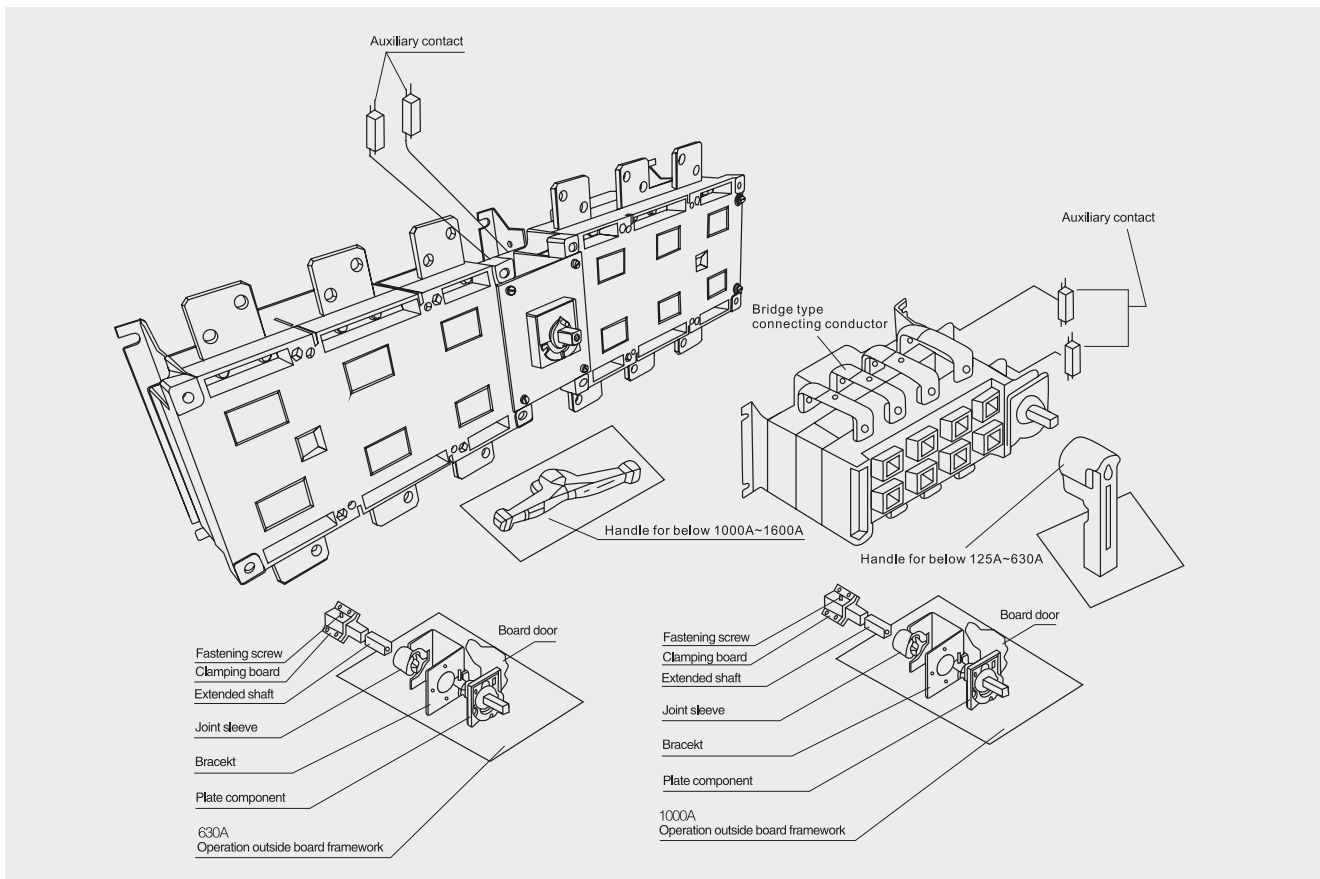
HGLZ series change-over load isolation switch



HGLZ-160A~1600A changeover load isolation switch

- ※ HGLZ-160A~1600A. The load isolation switch is suitable for the changeover of two sets of low voltage electric circuit or the changeover of 2 sets of load devices or safety isolation.
- ※ Mode of operation: Direct operation: handle is installed on the switch. Operation outside the board: handle is installed outside the door of power distributing board.
- ※ Products with observation windows can be provided according to the demand to observe directly the on and off state of contact.
- ※ The products have three poles, four poles (three poles+on and off neutral pole).
- ※ Extended shaft is used for the operation outside the board.
- ※ Two sets of auxiliary contacts can be assembled according to the demand.
- ※ Mechanical performance and electrical performance correspond to the mechanical property of HGLZ-160A~1600A.
- ※ A bridge can be provided to connect the inlet or outlet terminal of the switch.
- ※ The electric cable insulating cover can be assembled.

Note: the bridge connection is chosen, an explanation is needed to indicate the inlet or outlet is connected with it.

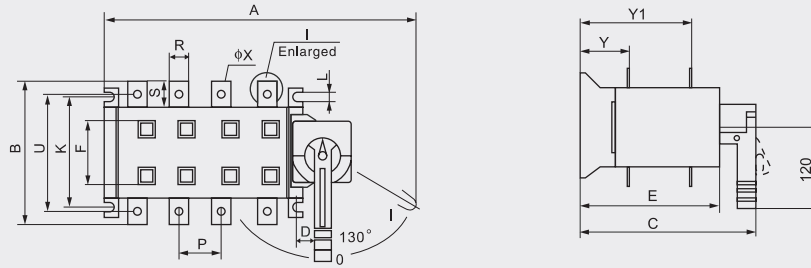


HGLZ series change-over load isolation switch

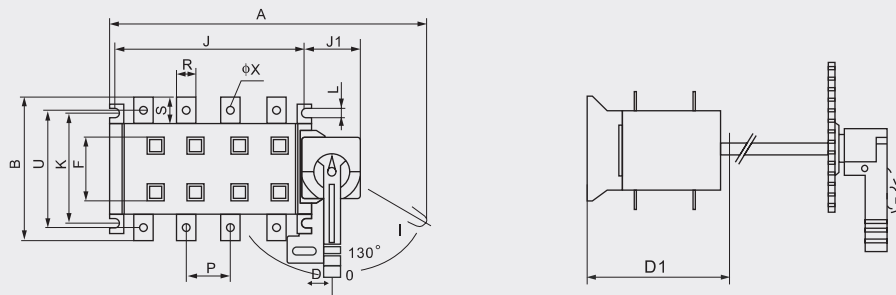
Overall & Installation Dimension

External dimension and installation dimension of HGLZ1-160A~1600A side operation load isolation switch

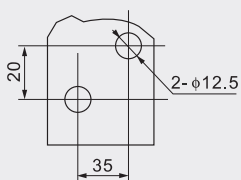
Direct operation of HGLZ1-160A~1600A



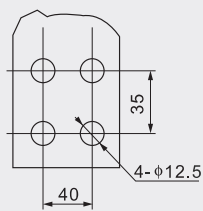
Operation outside of HGLZ1-160A~1600A



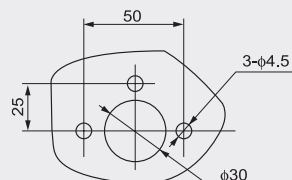
1000A



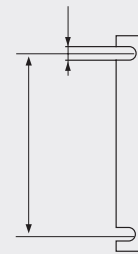
1250A~1600A



Installation size handle
seat outside board



Mounting foot



Mounting foot
above 1000A



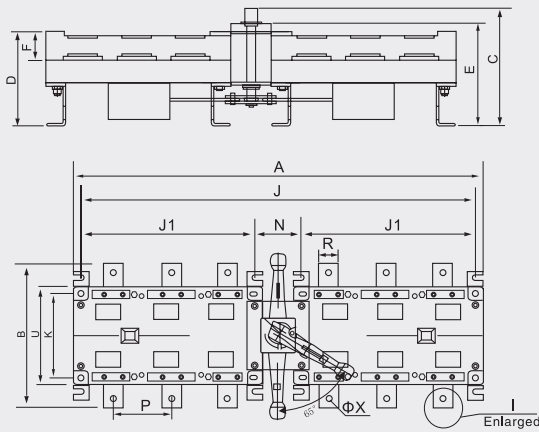
Specification	K1	L1
HGLZ-125~160A	95	7
HGLZ-200~250A	115	9
HGLZ-315~630A	180	11

HGLZ series change-over load isolation switch

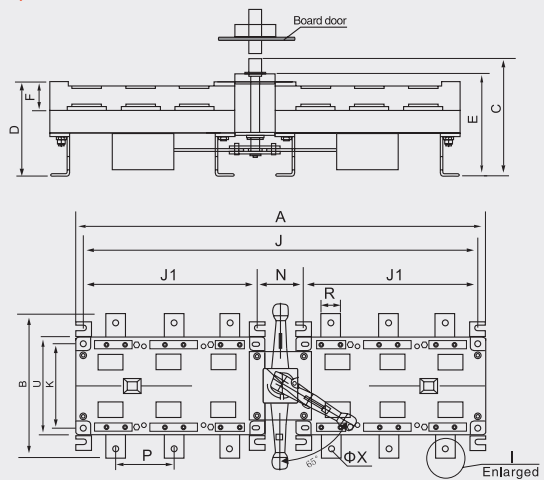
In	A	B	C	D	D1	E	J	J1	K	L	P	R	U	ΦX	Y	Y1
125A~160A/3	267	135	212	29	187	153	120	65	95	7	36	20	115	9	55	121
125A~160A/4	297	135	212	29	187	153	150	65	95	7	36	20	115	9	55	121
200A~250A/3	308	170	251	30	216	182	160	65	116	9	50	25	140	11	64	146
200A~250A/4	358	170	251	30	216	182	210	65	116	9	50	25	140	11	64	146
315A~400A/3	420	240	322	45	277	243	210	77	179	11	65	32	206	11	83	193
315A~400A/4	490	240	322	45	277	243	270	77	179	11	65	32	206	11	83	193
500A~630A/3	420	240	322	45	277	243	210	77	179	11	65	40	220	13	83	193
500A~630A/4	490	240	322	45	277	243	270	77	179	11	65	40	220	13	83	193
1000A/3	583	312	397	52.5	352	309	353	108.5	220	11	120	60	235	13	107	251.5
1000A/4	703	312	397	52.5	352	309	473	108.5	220	11	120	60	235	13	107	251.5
1250A/3	583	338	397	52.5	352	309	353	108.5	220	11	120	80	233	13	107	251.5
1250A/4	703	338	397	52.5	352	309	473	108.5	220	11	120	80	233	13	107	251.5
1600A/3	583	338	397	52.5	352	309	353	108.5	220	11	120	80	233	13	108	251.5
1600A/4	703	338	397	52.5	352	309	473	108.5	220	11	120	80	233	13	108	251.5

External dimension and installation dimension of HGLZ2-160A~1600A side operation load isolation switch

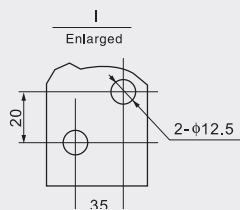
Operation inside of HGLZ2-160A~1600A



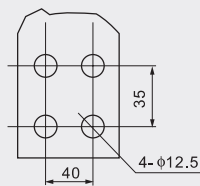
Operation outside of HGLZ2-160A~1600A



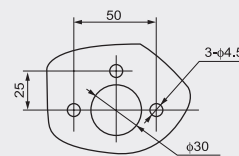
1000A



1250A~1600A



Installation size handle seat outside board



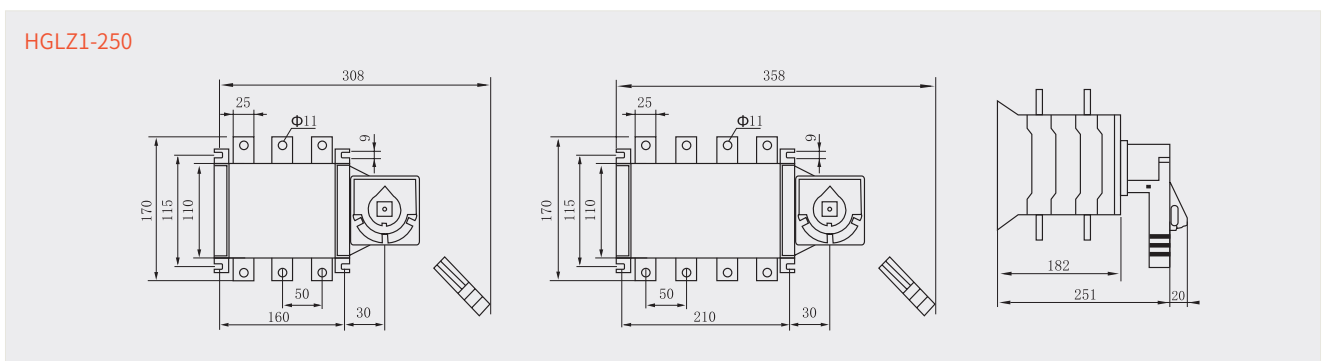
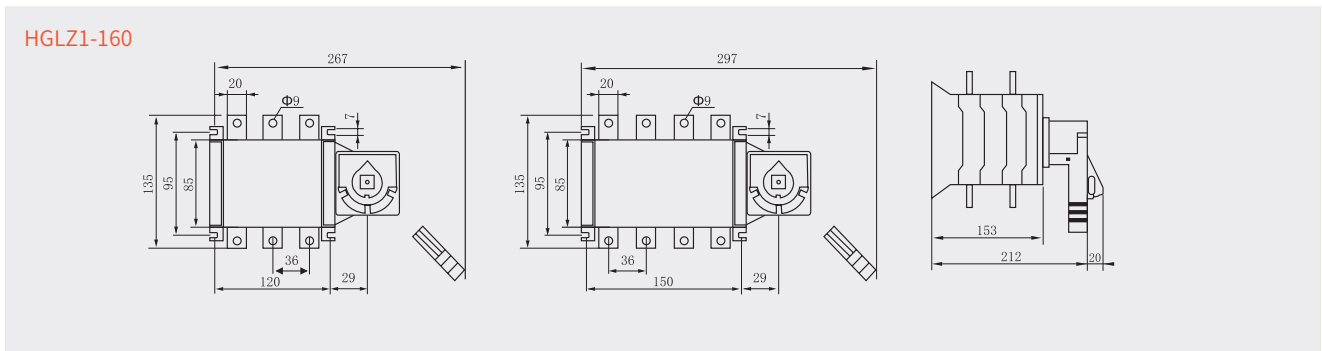
Mounting foot



HGLZ series change-over load isolation switch

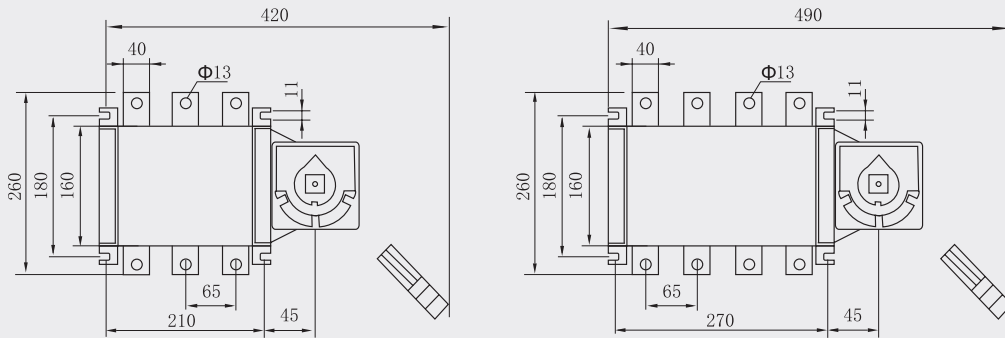
In	A	B	C	D	E	F	J	J1	K	N	P	R	U	ΦX
125A~160A/3	319	135	125	67	89	24	299	120	65	59	36	20	85	9
125A~160A/4	379	135	125	67	89	24	359	150	65	59	36	20	85	9
200A~250A/3	405	170	134	79	104	25	385	160	90	65	50	25	110	11
200A~250A/4	505	170	134	79	104	25	485	160	90	65	50	25	110	11
315A~400A/3	535	240	166	108	131	37	515	210	140	95	65	32	160	11
315A~400A/4	655	240	166	108	131	37	635	270	140	95	65	32	160	11
500A~630A/3	535	260	166	108	131	37.5	515	210	140	95	65	10	160	13
500A~630A/4	655	260	166	108	131	37.5	635	270	140	95	65	10	160	13
1000A/3	836	310	192	150	163	48	811	353	175	105	120	60	200	13
1000A/4	1076	310	192	150	163	48	1051	473	175	105	120	60	200	13
1250A/3	836	336	192	150	163	48	811	353	175	105	120	60	200	13
1250A/4	1076	336	192	150	163	48	1051	473	175	105	120	60	200	13
1600A/3	836	336	192	150	163	49	811	353	175	105	120	60	200	13
1600A/4	1076	336	192	150	163	49	1051	473	175	105	120	60	200	13

External dimension and installation dimension of HGLZ1-160A~630A side operation load isolation switch



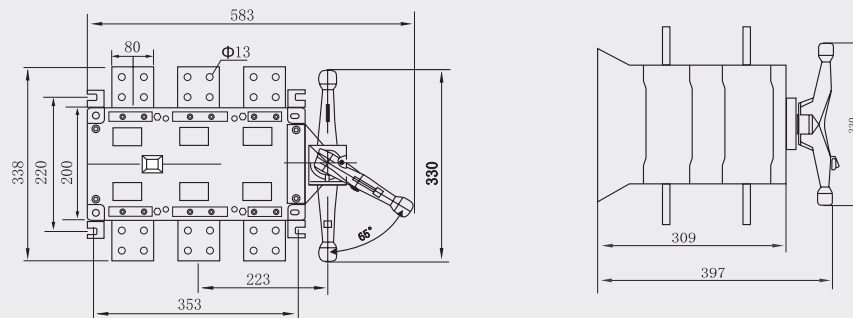
HGLZ series change-over load isolation switch

HGLZ1-630

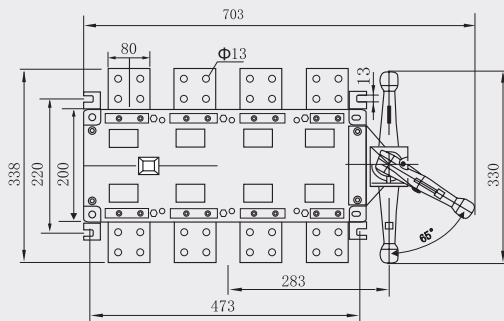


External dimension and installation dimension of HGLZ1-160A~1600A side operation load isolation switch

HGLZ1-1600



HGLZ1-1600



HGLZ1-630

