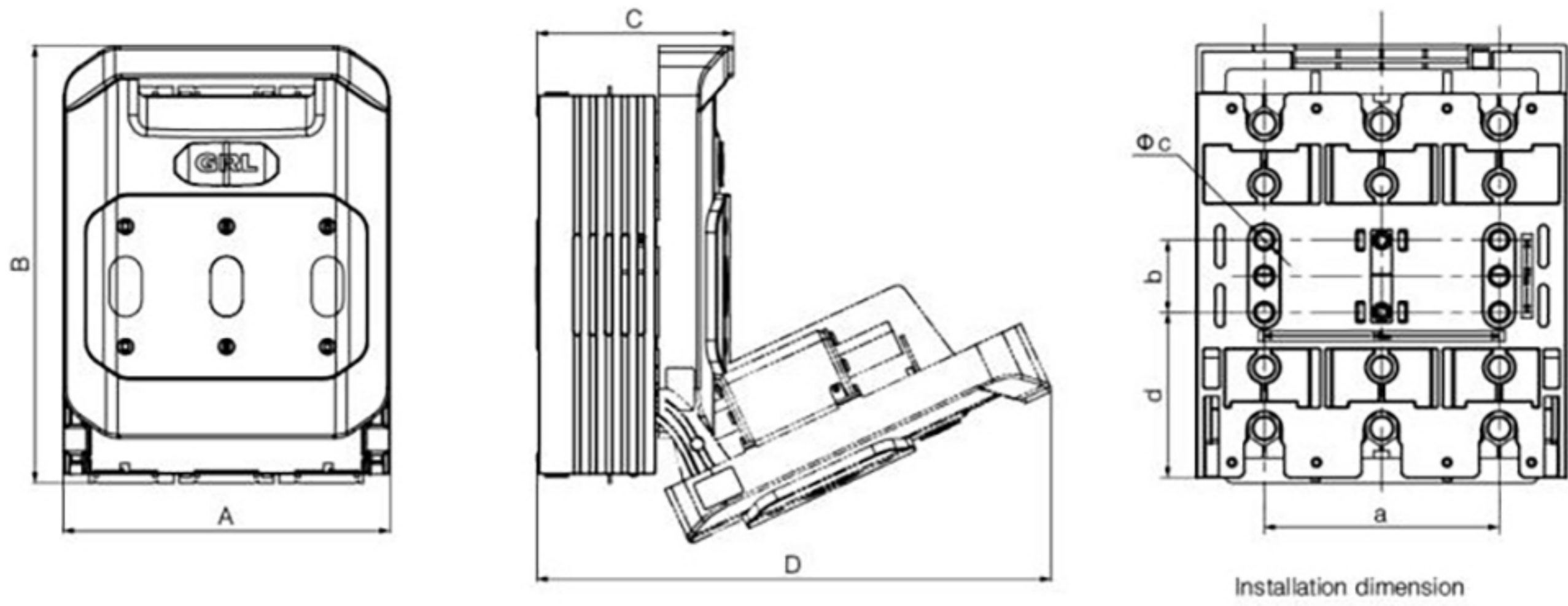


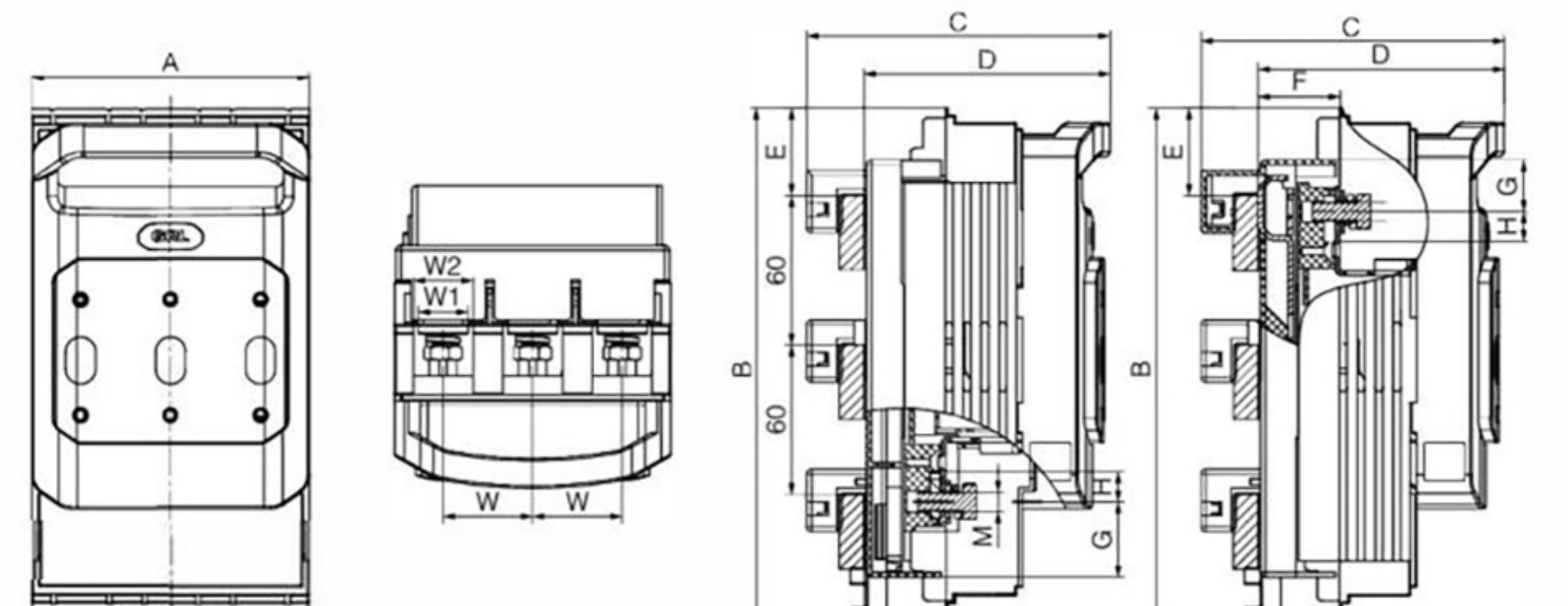
DNH1-160/30G



Dimension

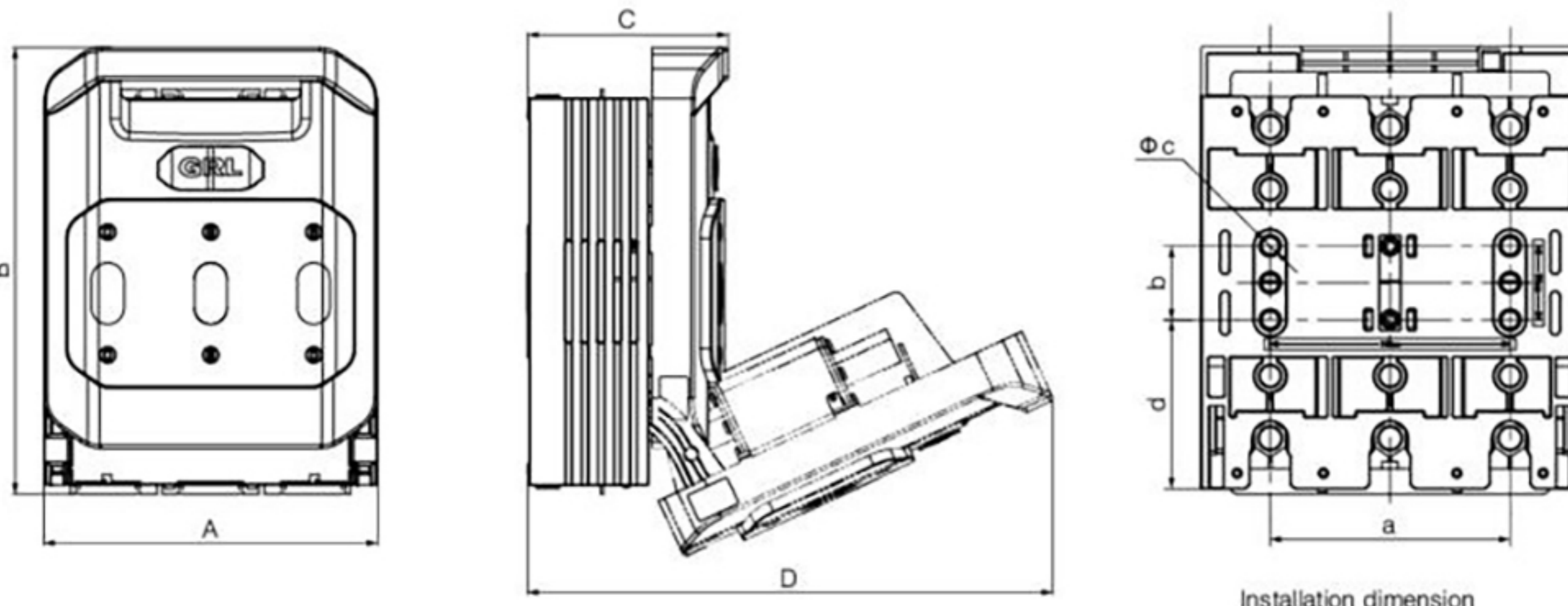
A	B	C	D	E	F	G	H	M	a	b	Φc	d
111	202	83	205	116	24	17	36	M8	66	25	Φ7	70

DNH1-160/31G



A	B	C	D	E	F	G	H	M	W	W1	W2
111	210	122	99	35	33	30 21	12	M8	36	20	24

DNH1-250/30G

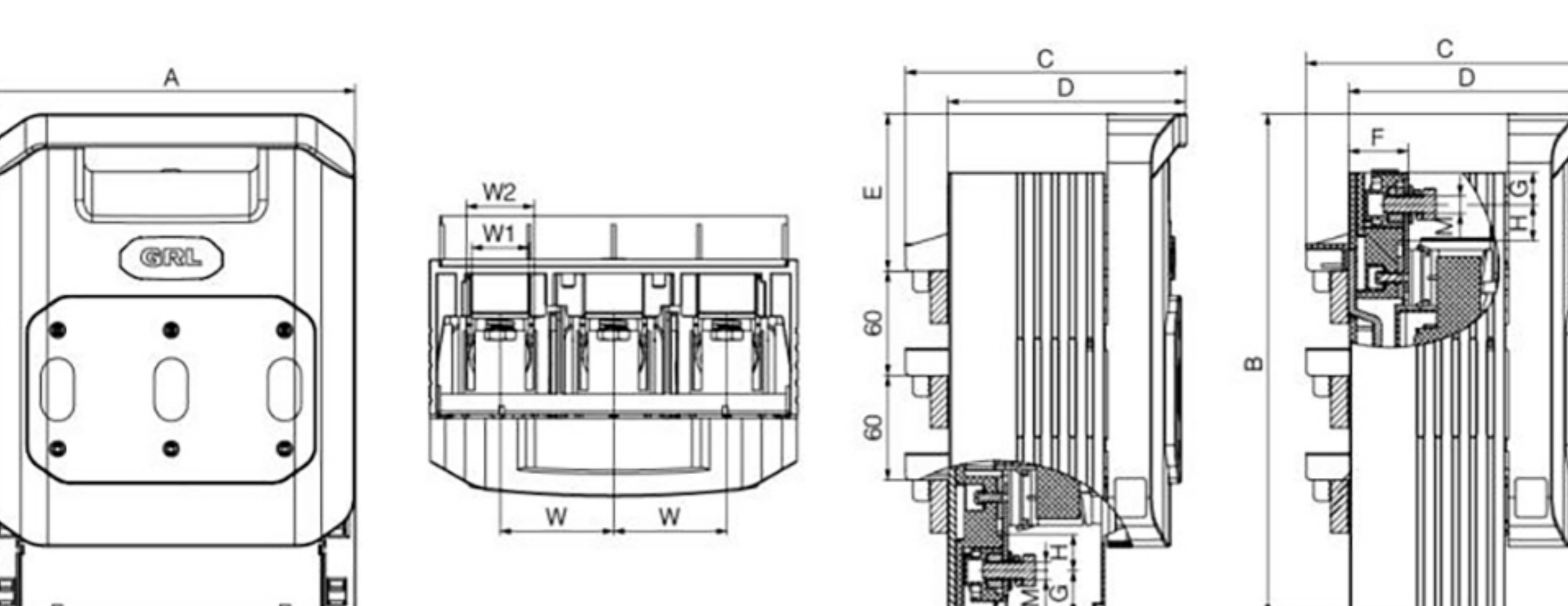


Overall Dimension (mm)

Installation Dimension (mm)

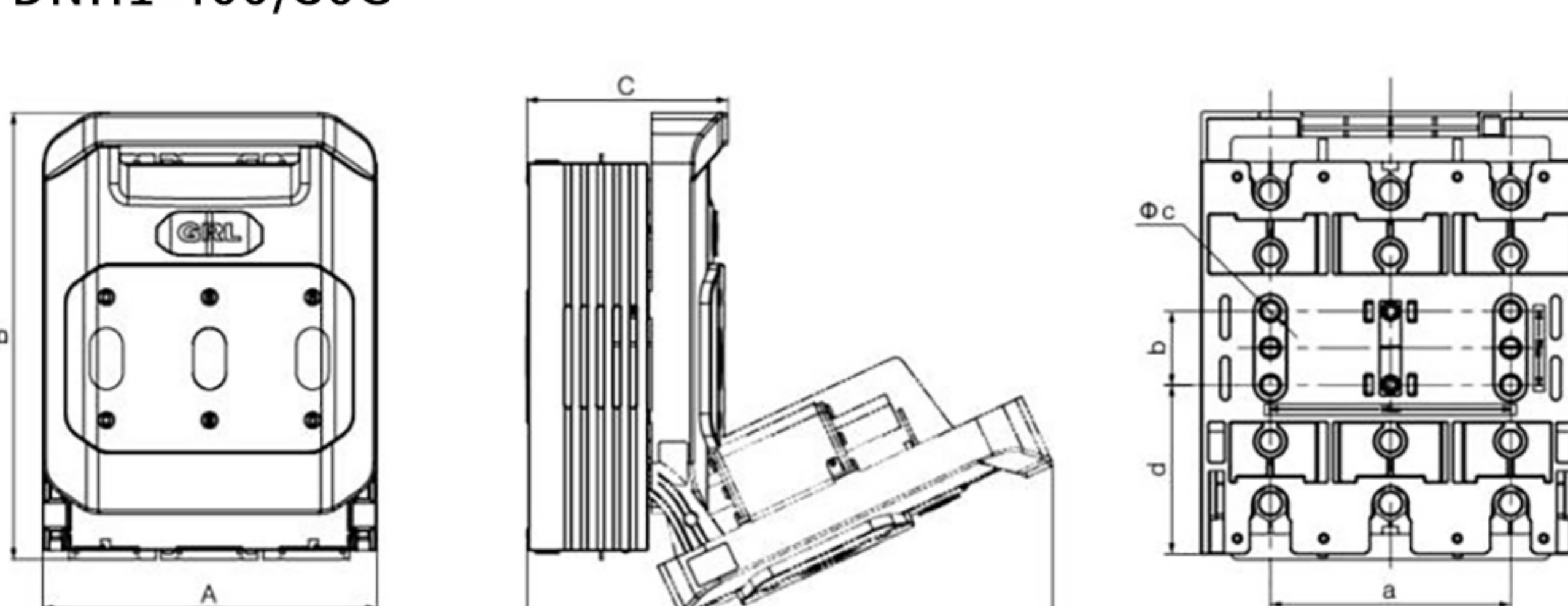
A	B	C	D	E	F	G	H	M	a	b	Φc	d
185	247	110	295	185	14.5	22.5	57	M10	114	50	Φ11	82

DNH1-250/31G



A	B	C	D	E	F	G	H	M	W	W1	W2
185	241	145	120	68	32.5	14.5	16	M10	57	30	40

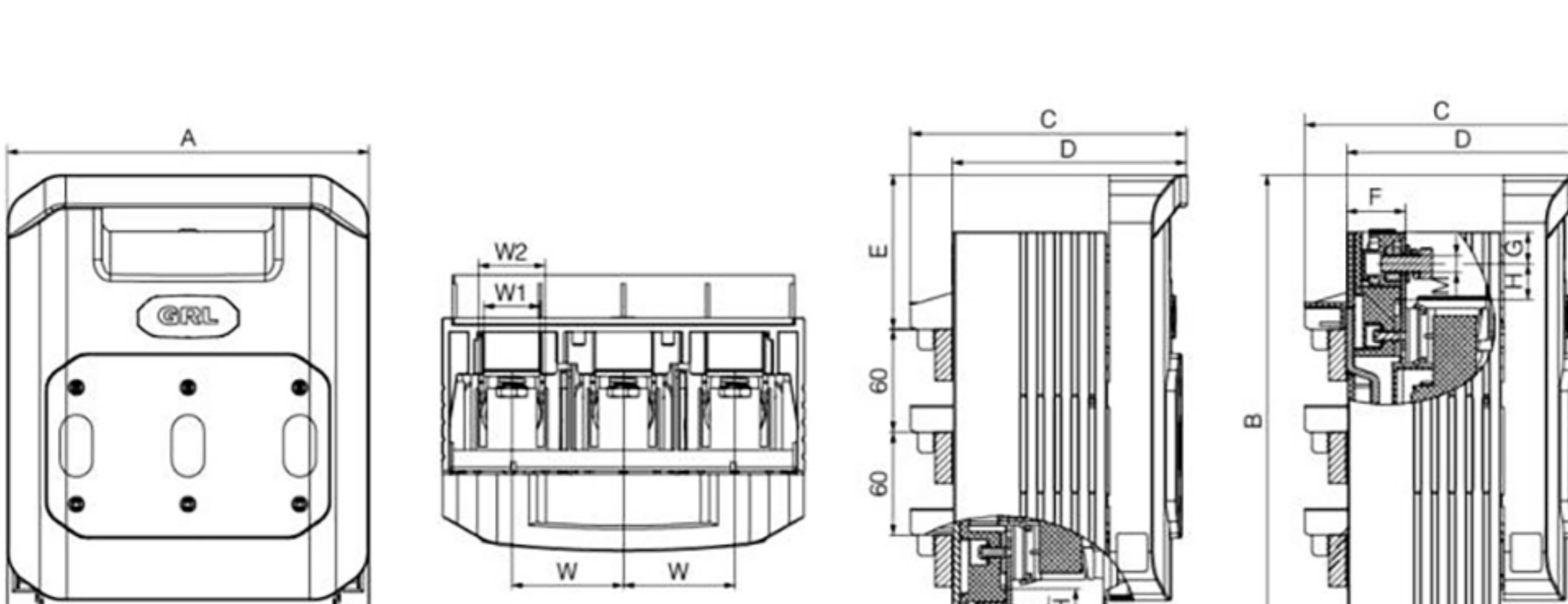
DNH1-400/30G



Dimension

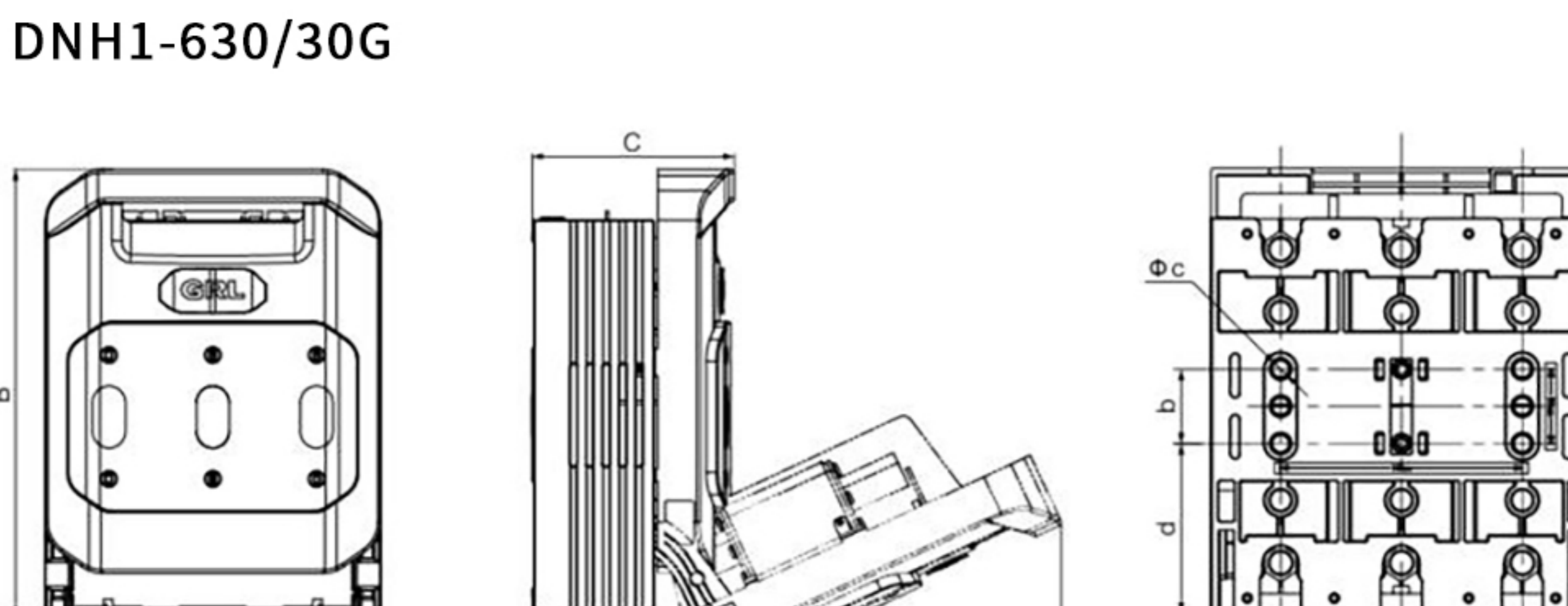
A	B	C	D	E	F	G	H	M	a	b	Φc	d
211	290	125	340	210	25.5	26	65	M10	130	50	Φ11	105.5

DNH1-400/31G



A	B	C	D	E	F	G	H	M	W	W1	W2
211	288	161	137	73	34.5	25.5 18.5	19	M10	65	33	50

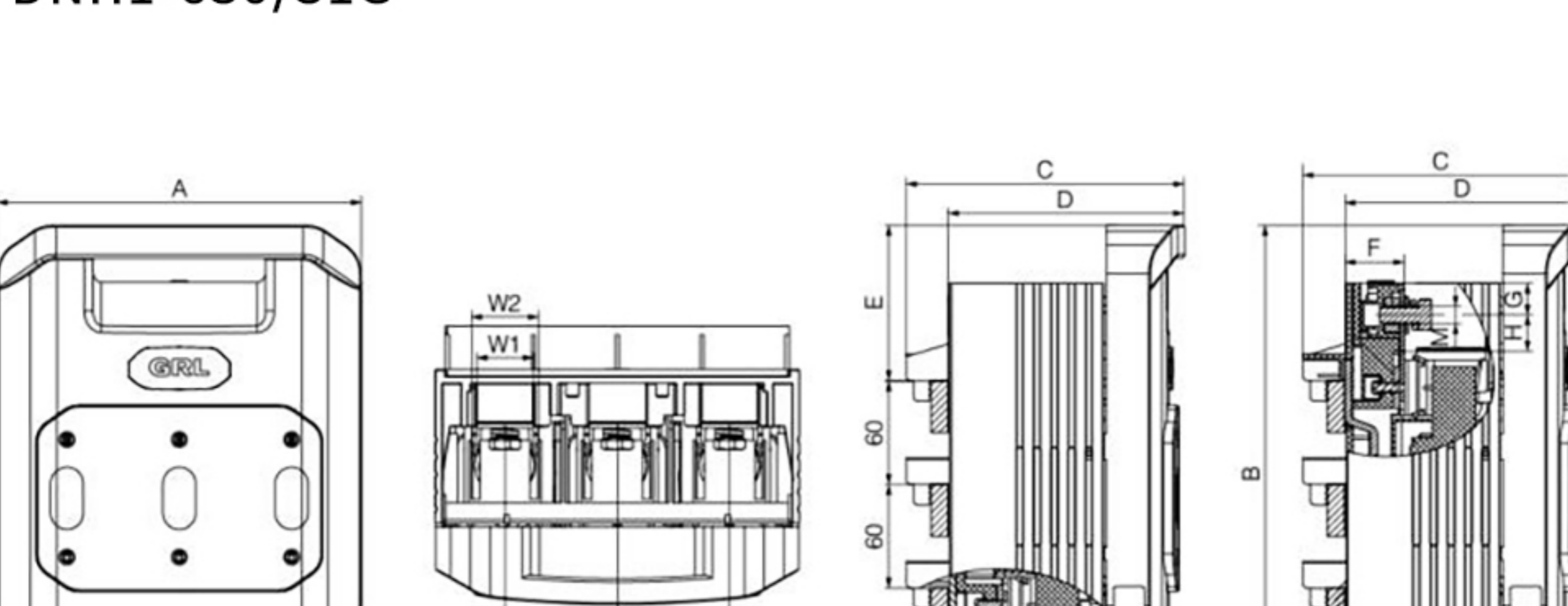
DNH1-630/30G



Dimension

A	B	C	D	E	F	G	H	M	a	b	Φc	d
256	300	145	360	210	34	30	81	M12	162	50	Φ11	114

DNH1-630/31G



A	B	C	D	E	F	G	H	M	W	W1	W2
256	313	178	154	90	41.5	37.5	21	M12	81	45	59